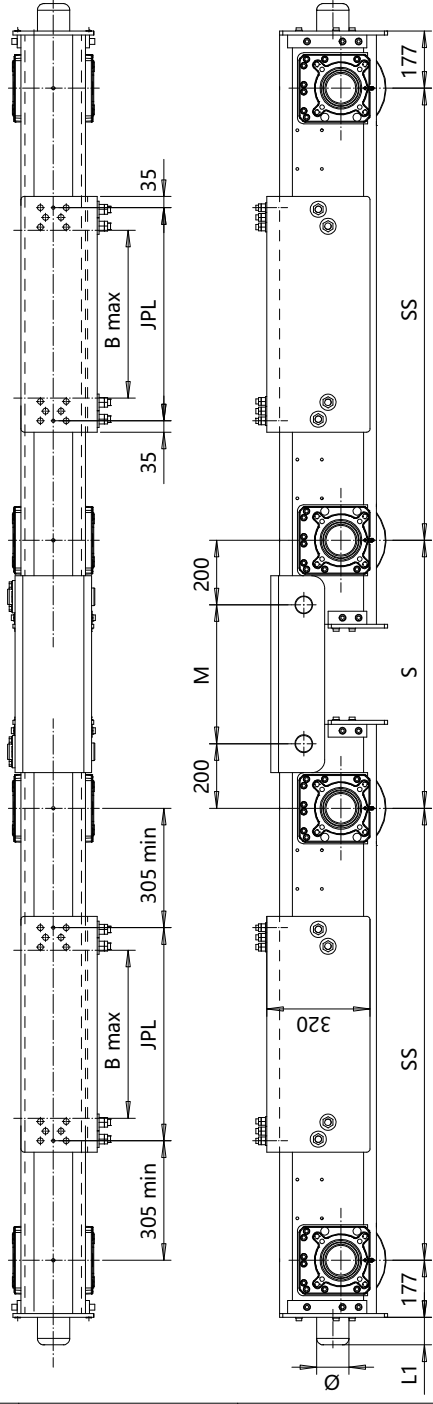


1 2 3 4 5 6 7 8

DFO25B END TRUCK SIDE JOINT PLATE TYPE F

JOINT PLATE BOLT
TIGHTENING TORQUE
M16 Bolt - Torque to 300Nm
M20 Bolt - Torque to 580 Nm



Joint plate	JPL (mm)	B max (mm)	Min. Wheelbase (mm)
F4	480	390	1400
F5	660	520	1400
F7	890	750	1600
F8	1030	890	1800

The wheel loads listed are only a guideline. The max. wheel load listed is based on the structural integrity of the frame and load placement, and it does not take into account permissible wheel loading or bearing life. SC load placement is at the center, and DG load placement is for a trolley gauge of 1400 mm (55 1/8').
The permissible dynamic wheel load listed is based on assumptions that the bridge speed is 40 m/min (130 fpm), end truck duty is Fem 2m, and the runway rail as listed.
If permissible dynamic wheel load is greater than the maximum dyn wheel load, use maximum dyn wheel load to select the end truck.
Dyn wheel load = 1.15 x static wheel load

Wheelbase code	SS (mm)	Max dyn whl load (kN)	Permissible dyn whl load (kN)		Approx Weight (kg)
			ASCE 40	ASCE 60	
14	1400	185	85	114.6	667
16	1600	185	85	114.6	702
18	1800	185	85	114.6	737
20	2000	185	85	114.6	773
22	2200	185	85	114.6	808
25	2500	171	85	114.6	861

- DFO25B1474-F51570C0830-N
- N=standard, E=Special
- primer paint, color code
- inner wheel distance = S
- Buffer type
- Joint plate distance = PP;
- (pin to pin, with double girder)
- Joint plate code
- = 1WD, D = 2WD
- Wheel groove = UU
- Wheel base = SS
- B = bogie
- Type of end carriage

Buffer type	L1 (mm)	Ø (mm)
B	68	80
C	85	100
D	105	125
K	80	80
G	100	100
E	150	100
F	190	125
H	160	160
I	200	200
M	125	125
P	240	160
S	300	200

B, C, D rubber
K, G, E, F, H, J, M, P, S polyurethane

No.	Description	Specification	Id	Drawing
E11VPH				
2008-12-09				
SLEQDOCV				
DEMAG				
END TRUCK				
OUTLINE DRAWING				
DFO25B-F				
DFO25B END TRUCK SIDE JOINT				
EN25				
08/2025				